

HIGH FREQUENCY MAGNETICS

T1/E1 Surface Mount Transformer

TM00139

- Operates at the T1 rate of 1.544 Mbits/s and at the E1 rate of 2.048 Mbits/s
- Designed for transmit and receive line interface applications
- Low capacitance design for EMI suppression
- Dual ratio for both 75Ω and 120Ω operation
- 1500-Volt isolation
- Operating temperature range: -40° C to +85° C
- Meets IEC 695, 2-2 flammability requirements
- PWB Process Capability: standard printed wiring board assembly techniques, total-immersion cleaning
- Reliability testing: Shock, vibration, temperature cycling, temperature - humidity - bias

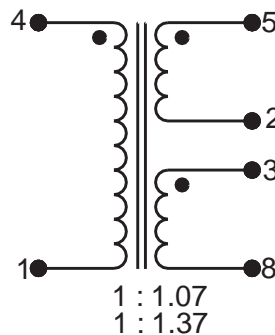
ELECTRICAL SPECIFICATIONS AT 25° C

Part Number	Nominal Turns Ratio ±2%		Inductance ¹ mH min	DCR Ω max			Leakage Inductance ² μH max & min	Interwinding Capacitance ³ pF max		Minimum Interwinding Breakdown Voltage Vrms
	(4-1):(5-2)	(4-1):(5-8)		(4-1)	(4-1)	(5-2)		(3-8)	(4-1) & (5-2)	
2779H	1 : 1.07	1 : 1.37	1.65	1.1	1.1	0.4	0.70	26	28	1500

- measured at 10 kHz, 0.1 Vac
- measured at 100 kHz, 0.10 Vac
- measured at 1 kHz, 1 Vac

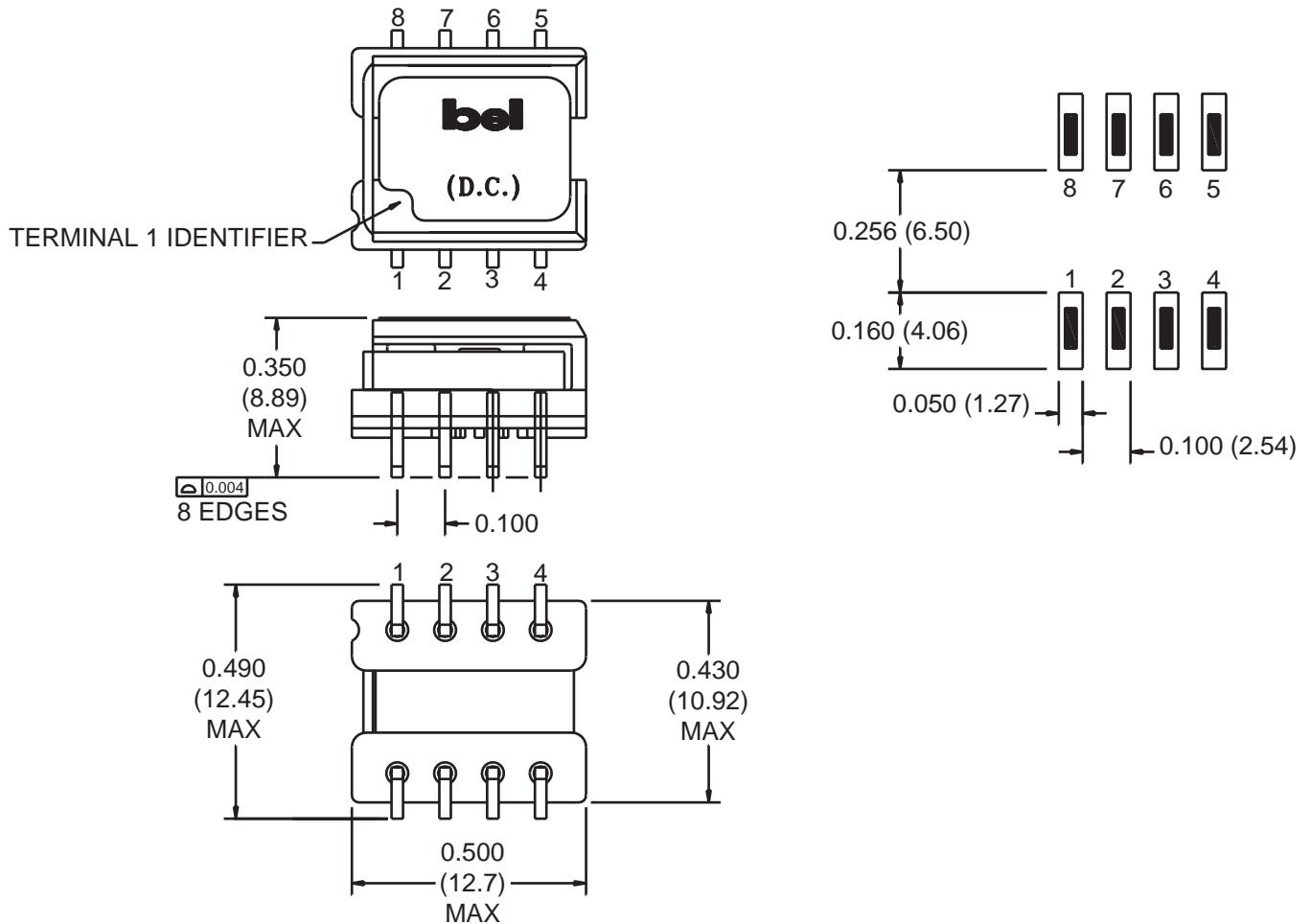
SCHEMATICS

2779H



MECHANICAL

2779H



Unless otherwise specified, dimensions are nominal and in inches (millimeters).

CORPORATE

Bel Fuse Inc.
 198 Van Vorst Street
 Jersey City, NJ 07302
 Tel 201-432-0463
 Fax 201-432-9542
 www.belfuse.com

FAR EAST

Bel Fuse Ltd.
 8F / 8 Luk Hop Street
 San Po Kong
 Kowloon, Hong Kong
 Tel 852-2328-5515
 Fax 852-2352-3706
 www.belfuse.com

EUROPE

Bel Fuse Europe Ltd.
 Preston Technology Management Centre
 Marsh Lane, Suite G7, Preston
 Lancashire, PR1 8UD, U.K.
 Tel 44-1772-556601
 Fax 44-1772-888366
 www.belfuse.com